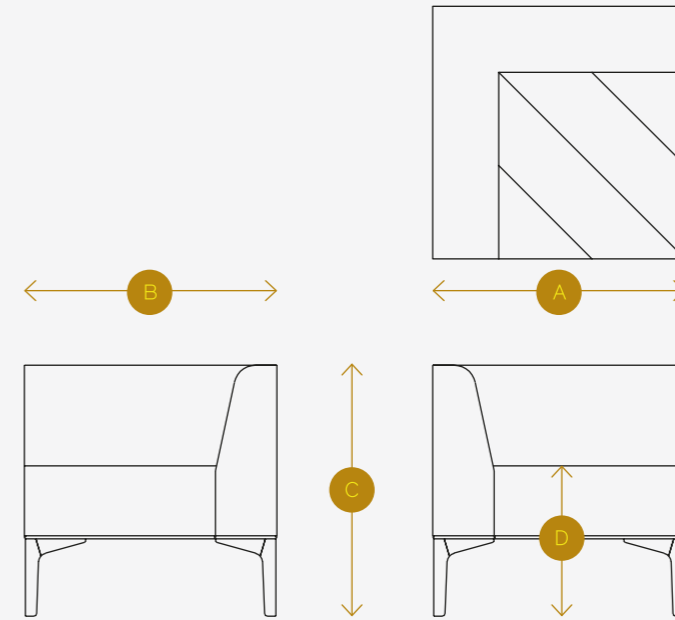
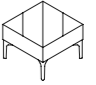
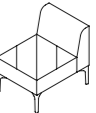
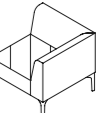
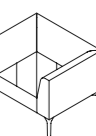


Measuring guide

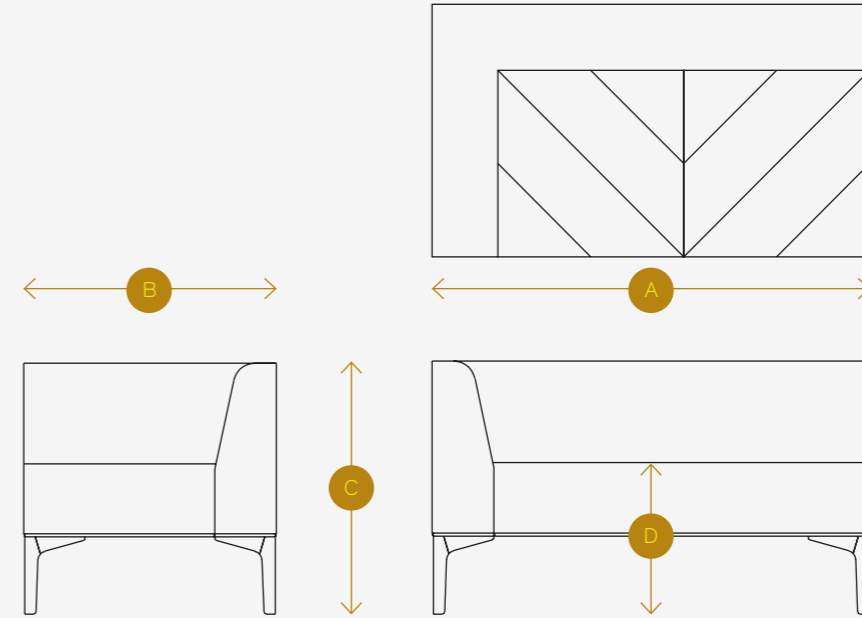
Hatch Single Seaters



| PRODUCT CODE DESCRIPTION | A WIDTH | B DEPTH | C HEIGHT | D SEAT HEIGHT | E DISTANCE BETWEEN LEGS (FRONT) | F DISTANCE BETWEEN LEGS (SIDE) | G WEIGHT | H CAD |
|------------------------------------|-------------------|-----------------|-----------------|---------------------|---------------------------------------|--------------------------------------|----------------------|---|
| HAT1ST Hatch Single Stool | 510 mm 20 in | 510 mm 20 in | 410 mm 16 in | 410 mm 16 in | 440 mm 17.5 in | 440 mm 17.5 in | 21.02 kg 46.3 lbs |  |
| HAT1NA Hatch No Arms | 510 mm 20 in | 690 mm 27 in | 685 mm 27 in | 410 mm 16 in | 440 mm 17.5 in | 620 mm 24.5 in | 34.5 kg 76.1 lbs |  |
| HAT11A Hatch Corner Chair 1 Arm | 690 mm 27 in | 690 mm 27 in | 685 mm 27 in | 410 mm 16 in | 620 mm 24.5 in | 620 mm 24.5 in | 37.4 kg 82.5 lbs |  |
| HAT12A Hatch Chair 2 Arms | 870 mm 34.5 in | 690 mm 27 in | 685 mm 27 in | 410 mm 16 in | 800 mm 31.5 in | 620 mm 24.5 in | 30.9 kg 68.1 lbs |  |

Measuring guide

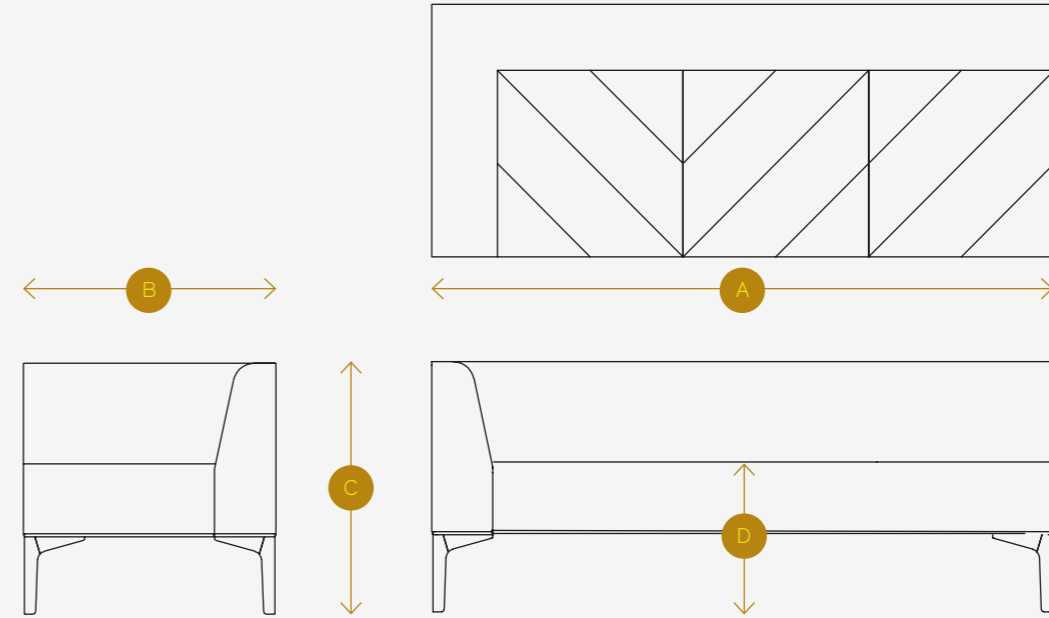
Hatch Two Seaters



| PRODUCT CODE DESCRIPTION | A WIDTH | B DEPTH | C HEIGHT | D SEAT HEIGHT | E DISTANCE BETWEEN LEGS (FRONT) | F DISTANCE BETWEEN LEGS (SIDE) | G WEIGHT | H CAD |
|----------------------------------|--------------------|-----------------|-----------------|---------------------|---------------------------------------|--------------------------------------|---------------------|----------|
| HAT2BEN Hatch 2 Seat Bench | 1020 mm 40 in | 510 mm 20 in | 410 mm 16 in | 410 mm 16 in | 950 mm 37.5 in | 620 mm 24.5 in | 26.5 kg 58.4 lbs | |
| HAT2NA Hatch 2 Seat No Arms | 1020 mm 40 in | 690 mm 27 in | 685 mm 27 in | 410 mm 16 in | 950 mm 37.5 in | 620 mm 24.5 in | 32.3 kg 71.1 lbs | |
| HAT2RA Hatch 2 Seat Right Arm | 1200 mm 47 in | 690 mm 27 in | 685 mm 27 in | 410 mm 16 in | 1130 mm 44.5 in | 620 mm 24.5 in | 36.9 kg 81.4 lbs | |
| HAT2LA Hatch 2 Seat Left Arm | 1200 mm 47 in | 690 mm 27 in | 685 mm 27 in | 410 mm 16 in | 1130 mm 44.5 in | 620 mm 24.5 in | 36.9 kg 81.4 lbs | |
| HAT22A Hatch 2 Seat 2 Arms | 1380 mm 54.5 in | 690 mm 27 in | 685 mm 27 in | 410 mm 16 in | 1310 mm 51.5 in | 620 mm 24.5 in | 43 kg 94.8 lbs | |

Measuring guide

Hatch Three Seaters



| PRODUCT CODE DESCRIPTION | A WIDTH | B DEPTH | C HEIGHT | D SEAT HEIGHT | E DISTANCE BETWEEN LEGS (FRONT) | F DISTANCE BETWEEN LEGS (SIDE) | G WEIGHT | H CAD |
|----------------------------------|--------------------|-----------------|-----------------|---------------------|---------------------------------------|--------------------------------------|-------------------------------|---|
| HAT3BEN Hatch 3 Seat Bench | 1530 mm 60 in | 510 mm 20 in | 410 mm 16 in | 410 mm 16 in | 1445 mm 57 in | 620 mm 24.5 in | 29.9 kg 65.9 lbs |  |
| HAT3NA Hatch 3 Seat No Arms | 1530 mm 60 in | 690 mm 27 in | 685 mm 27 in | 410 mm 16 in | 1445 mm 57 in | 620 mm 24.5 in | 40 kg 88.1 lbs |  |
| HAT3RA Hatch 3 Seat Right Arm | 1710 mm 67.5 in | 690 mm 27 in | 685 mm 27 in | 410 mm 16 in | 1645 mm 65 in | 620 mm 24.5 in | 41.6 kg 91.7 lbs |  |
| HAT3LA Hatch 3 Seat Left Arm | 1710 mm 67.5 in | 690 mm 27 in | 685 mm 27 in | 410 mm 16 in | 1645 mm 65 in | 620 mm 24.5 in | Weight 41.6 kg 91.7 lbs |  |
| HAT32A Hatch 3 Seat 2 Arms | 1890 mm 74.5 in | 690 mm 27 in | 685 mm 27 in | 410 mm 16 in | 1820 mm 72 in | 620 mm 24.5 in | 52.7 kg 116.2 lbs |  |